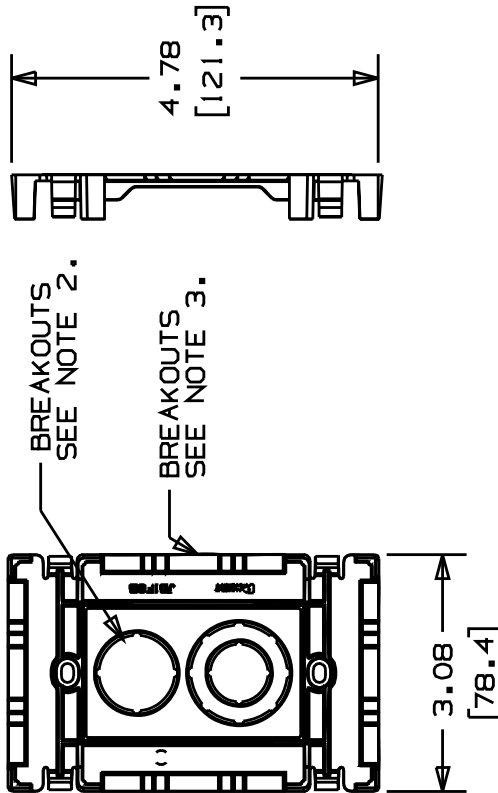
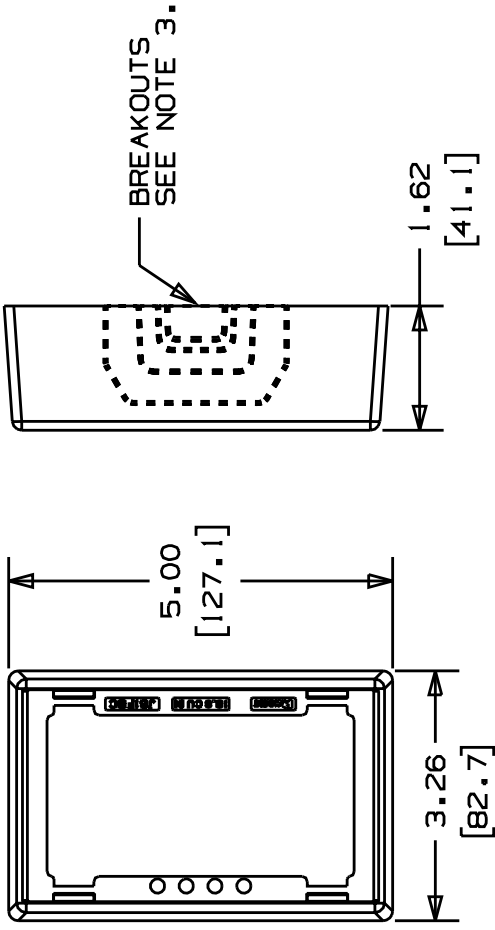
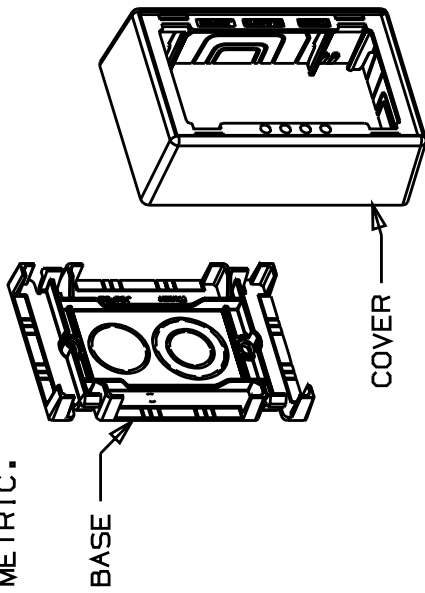


THIS COPY IS PROVIDED ON A RESTRICTED BASIS AND IS NOT TO BE USED IN ANY WAY DETRIMENTAL TO THE INTERESTS OF PANDUIT CORP.



PANDUIT P/N	WEIGHT
JBIFS	1.9 LB/10 PCS (885 G/10 PCS)

- NOTES:**
- SEE CURRENT CATALOG FOR ADDITIONAL PART SUFFIXES TO INDICATE COLOR AND OR PACKAGE QUANTITY.
 - CONCENTRIC BREAKOUTS TO ACCOMMODATE CONDUIT SIZES OF 1/2", 3/4", AND 1" DIAMETERS.
 - BREAKOUTS ARE PROVIDED FOR CD, PD, LD, LDP, LDS, AND T45 RACEWAYS.
 - COVER IS EXTENDED OUT AND DOWN AROUND SIDES OF BASE WHEN ASSEMBLED.
 - DIMENSIONS IN PARENTHESES ARE IN METRIC.



CAD FILE NAME/LAYERS **B** D37042BJ_DC_JBIFS_01A

PANDUIT

CORP. TINLEY PARK, ILLINOIS
A 1 GANG SNAP-TOGETHER JUNCTION BOX (JBIFS)
 CUSTOMER DRAWING

UNLESS OTHERWISE SPECIFIED, DIMENSIONAL TOLERANCES ARE: (.X) ± (.XXX) ; (.XX) ± .03(.8) ANGLES ;		UNLESS OTHERWISE SPECIFIED, ALL DIMENSIONS ARE GIVEN IN INCHES, THIRD ANGLE PROJECTION.	
DRAWN BY DW	MAT'L: PVC	SCALE NONE	DWG 37042-04
DATE 3-5-99	CHECKED BY HIW		SIZE A

REV	DATE	BY	CHK	DESCRIPTION	ECN	CHK	CUST	SUP
2	1/17/00	JHNJ		E: ADDED T45 TO NOTE 3 D: REVISED GEOMETRY FOR T45 BREAKOUT	37042-04			
---	---		C: PART WEIGHT WAS 1.9LB(883g).	-----			
1	5/20/99	DW	HIW	B: FILE NAME WAS D37042BJ_DC_JBIS_00. A: PART NUMBER WAS JBIS.	37042-04	HIW	HIW	
R	3-5-99	DW	HIW	RELEASED TO PRODUCTION.	37042-04	HIW	HIW	